

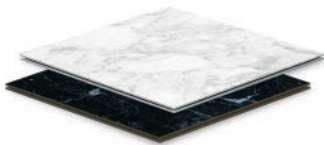
ExpoFloor

ANY
COLOUR

ANY
PRINT

Your key
exhibition
partner





PRINT

Your design printed on ExpoFloor. Single image or Split image with high gloss or matt finish



ExpoFloor



WHITE or BLACK
HIGH GLOSS or MATT

With ExpoFloor you create a high-profile floor that lifts every stand to a higher level. Combine ExpoFloor with ExpoPanel to generate maximum effect.





ExpoFloor



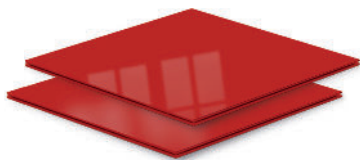
A&A Expo International



IMPRESS

Make a lasting impression
on your stand or stage with
ExpoFloor

exposupply

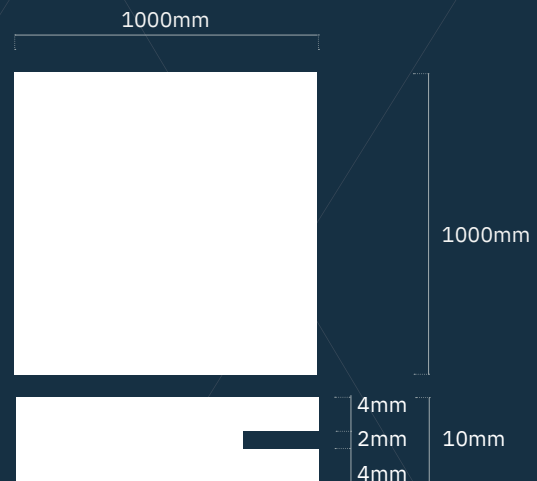


ANY COLOUR

ExpoFloor panels can be supplied in all colours, both high gloss and matt. The sides are spray painted in the same colour

TECHNICAL SPECIFICATIONS

Material	HDF	
Size (mm)	1000 x 1000 x 10	
Weight/m2	9 kg	
Installation	4-sided groove milled floor panels, Strips for installation included	
Colours	White, Black, Light Grey, Dark Grey	All other RAL colours available on request
Print	Single image or Split image	
Finish	High gloss or Matt	
Edges	Painted in colour	
Protection	Protective film on each floor panel	
Standard	NEN-EN 14342:2013	



exposupply

Company Exosupply B.V.
Address Eckertstraat 18
City 8263 CB Kampen

Phone +31 (0)85 273 64 21
Email info@exosupply.com
Country The Netherlands